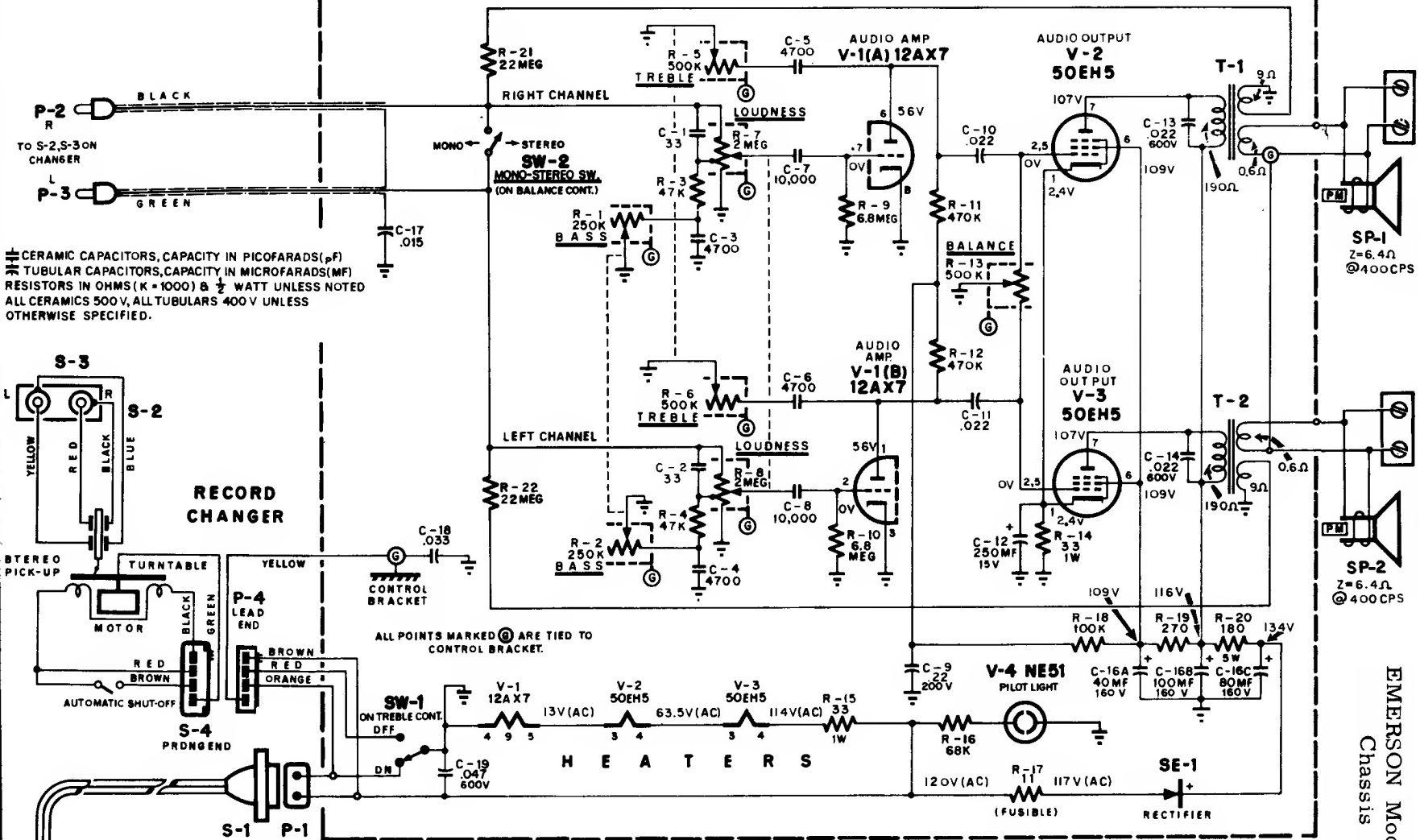


MONAURAL AND STEREO AMPLIFIER BOARD



CERAMIC CAPACITORS, CAPACITY IN PICOFARADS (pF)
 TUBULAR CAPACITORS, CAPACITY IN MICROFARADS (MF)
 RESISTORS IN OHMS (K = 1000) & 1/2 WATT UNLESS NOTED
 ALL CERAMICS 500V, ALL TUBULARS 400V UNLESS OTHERWISE SPECIFIED.

CONDITIONS FOR VOLTAGE AND RESISTANCE MEASUREMENTS, STEREO AMPLIFIER CHASSIS 120649

VOLTAGE MEASUREMENTS were taken under the following conditions, using an RCA "Voltohmyst" or equivalent VTVM:

- 1) Line voltage maintained at 120 volts AC.
- 2) Volume control set for minimum volume.
- 3) All voltage measurements made between points indicated and B-neutral (negative side of electrolytic capacitor C-16) unless otherwise noted.

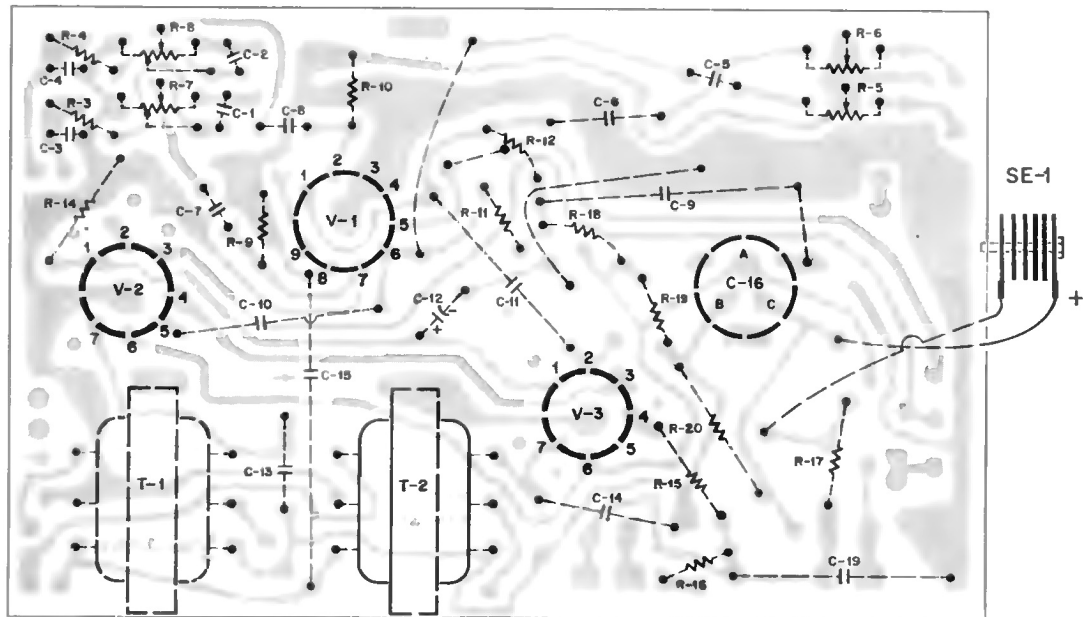
RESISTANCE MEASUREMENTS were made under the following conditions, using an RCA "Voltohmyst" or equivalent VTVM:

- 1) ON-OFF switch (SW-1) in OFF position and line cord disconnected from AC outlet.
- 2) AC connector for record changer (P-4) disengaged from motor socket (S-4).
- 3) All resistance measurements made between points indicated and B-neutral (negative side of electrolytic capacitor C-16) unless otherwise noted.

EMERSON Model P-1914
 Chassis 120649

120V AC (60 CPS)

EMERSON Model P-1914, Chassis 120649



ETCHED PRINTED CIRCUIT CHASSIS (Bottom View)

RESISTANCE READINGS, STEREO AMPLIFIER CHASSIS 120649

SYM.	TUBE TYPE	PIN 1	PIN 2	PIN 3	PIN 4	PIN 5	PIN 6	PIN 7	PIN 8	PIN 9
V-1	12AX7	*570K	6.8 M	0	0	18	*570K	6.8 M	0	9
V-2	50EH5	33	30 to .5 M	18	64	30 to .5 M	*450	*370	-	-
V-3	50EH5	33	30 to .5 M	64	112	30 to .5 M	*450	*370	-	-

* MEASURED WITH COMMON LEAD OF METER CONNECTED TO POSITIVE SIDE OF SELENIUM RECTIFIER SE-1.